



Missing EDA Links

SLED 1.6

Ease of Use
User Interface
Netlisting

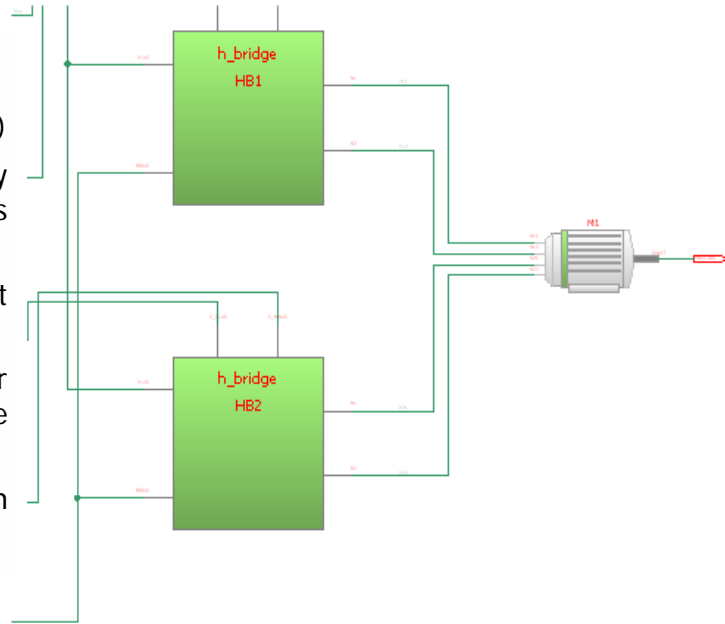
DOLPHIN INTEGRATION

Release 1.6 of the Schematic Link Editor SLED emphasizes on **ease of use** and on the **graphic user interface**. It delivers solutions facilitating the creation and verification of designs thanks to libraries, an extended Design Rule Checker, a search facility... while enhancing team work awareness.

SLED 1.6 paves the way for efficient graphic assembly of multi-level and multi-domain designs!

KEY ENHANCEMENTS

- ✓ Accelerated netlisting of all designs (up to 80%)
- ✓ Enhanced property editor to quickly modify properties, parameters and styles of objects (symbol, pin, net, instance...)
- ✓ Quick "Find" and "Find all" functions for fast design searching both locally and hierarchically
- ✓ Possibility to share Design Rule Checker configurations and to define the depth of the verifications in the design hierarchy
- ✓ Automatic detection of external modifications in the open design for enhanced team work
- ✓ Devices library of analog and logic components



SLED LIBRARIES

A Devices library providing models of the most common logic and analog devices is now delivered with SLED to enable fast design of circuits. It comprises:

- ✓ **Logic devices:** gates, flip-flops, sources, delay and tri-states gates
- ✓ **Analog devices:** capacitors, resistors, inductors, diodes, transistors, transmission lines, voltage/current converters and voltage/current sources

A range of libraries of engineering models, called **EMBLEM**, is also available upon request. EMBLEM libraries target graphic structural assembly of behavioral models. Each library is dedicated to specific applications:

- ✓ EMBLEM Math to assemble high abstraction level models for any applications,
- ✓ EMBLEM Mecha to assemble models of all kind of MEMS,
- ✓ EMBLEM Drive to model DC motors, peripherals and gears.

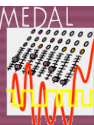
TUTORIALS

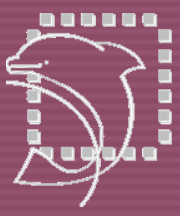
Don't miss out discovering the new "**SLED Getting Started**", "**SLASH - Netlisting and Simulation**" and "**PSL Detectors**" tutorials.

 SLED is available identically under Linux and Windows.

June 10

dolphin-integration.com/eda
solutions@dolphin.fr





Missing EDA Links

SLED 1.6

Hierarchical Find

&

Design Contexts

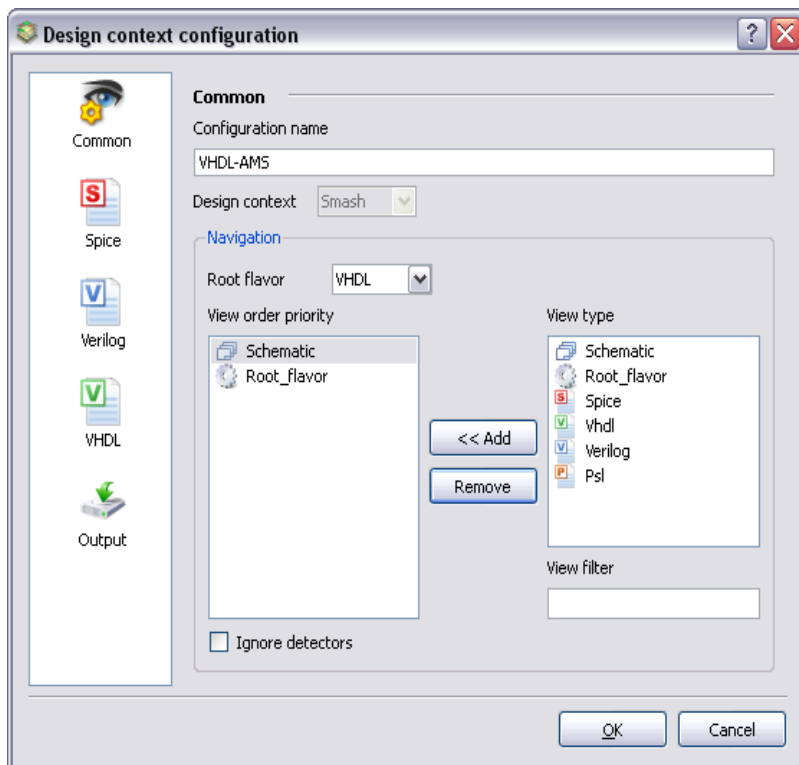
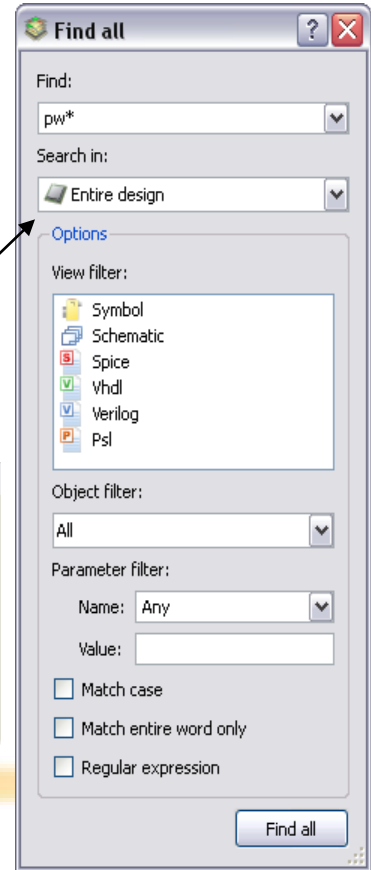
DOLPHIN INTEGRATION

The find engine allows to easily identify and locate elements that match a defined search criterion. The search can be performed either globally or sequentially with a scope set to the current selection, the current page, the design hierarchy...

The global search allows to quickly list all items matching the search criteria in the results output pane. When the user clicks on an item, the concerned view is opened and the selected element is highlighted.

Define the scope of the search

Highlight elements with a simple click



Several design context configurations can be defined for each design. Every configuration defines a way of navigating through the hierarchy from any schematic, for pushing/popping through the design, performing design rule checks, netlisting...

The designer defines the top level netlisting language flavor and sets the default view order priority applied to each instance during hierarchical transversals.

For example, if a cell has a symbol and two schematic views (Techno_A_schema and Techno_B_schema), the designer can define which schematic to use in priority during hierarchical transversals.

SLED is available identically under Linux and Windows.

June 10

dolphin-integration.com/eda
solutions@dolphin.fr

